

**UNI-T**

## Technical Specifications

<b>Model</b>	<b>UT320T</b>		
Language	EN, FR, DE, IT, ES, SV, PL, CZ		
LCD size	18 x 28mm		
LCD type	FSTN		
Infrared measurement	Measuring range	-40°C~300°C (-40°F~572°F)	
	Temperature	Range	Accuracy
		-40°C≤t≤0°C:	±(1.5+0.1× t )°C
		0°C<t≤300°C:	±2.0°C or ±0.02×t°C whichever is greater
		-40°F≤t≤32°F:	±(4.0+0.1× t-32 )°F
	32°F<t≤572°F:	±4.0°F or ±0.02×t°F whichever is greater	
	Temperature coefficient	±0.1°C/°C or ±0.1%/°C whichever is greater	
	Distance to spot ratio (D: S)	8:1	
	Emissivity	Adjustable (0.1~1.0)	
	Spectral range	5μm~14μm	
	Response time	≤500ms (95% of reading)	
	Repeatability	1.0°C or 1.0% whichever is greater (2.0°F or 1.0% whichever is greater)	
	Laser	Class 2, single laser, power<1mW, wavelength 650±20nm	
Operating time	About 30h (laser and backlight on)		
Probe measurement	Measuring range	-40°C~300°C (-40°F~572°F)	
	Accuracy	Range	Accuracy
		-40°C≤t≤0°C:	±2.0°C
		0°C<t≤300°C:	±1.0°C or ±0.01×t°C whichever is greater
		-40°F≤t≤32°F:	±4.0°F
	32°F<t≤572°F:	±2.0°F or ±0.01×t°F whichever is greater	
	Probe type	NTC	
Minimum measuring depth	12.7mm		
Operating time	About 180h (backlight on)		
Operating temperature	0°C~50°C (32°F~122°F)		
Storage temperature	-20°C~60°C (-4°F~140°F)		
Operating humidity	<90%Rh (non-condensing)		
Highest operating altitude	2000m		
IP rating	IP54		
Drop test	2m		
Auto power off time	10min		
Data hold	√		
Lock measurement	√		
Unit conversion (°C/°F)	√		
Max/Min/Difference	√		
<b>Characteristic</b>			
Product size	155 x 42 x 22.5mm		
Product weight	About 110g (with batteries)		
Battery type	2 x 1.5V AAA		



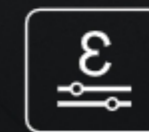
# UT320T

## 2 in 1 Thermometer

UT320T is a thermometer that combines infrared sensor and collapsible probe. Infrared measurement is used to quickly scan the surface temperature of an object and probe measurement can accurately measure the internal temperature.



High accuracy



Adjustable emissivity



Collapsible probe



T1-T2



2m drop proof



IP54



meters.uni-trend.com



**UNI-TREND TECHNOLOGY (CHINA) CO., LTD.**

No.6, Industrial North 1<sup>st</sup> Rd., Songshan Lake Park,  
Dongguan, China  
Post Code: 523 808  
Tel: (86-769) 8572 3888

**Collapsible probe**



**High accurate infrared sensor**



**Wide measuring range: -40°C~300°C**



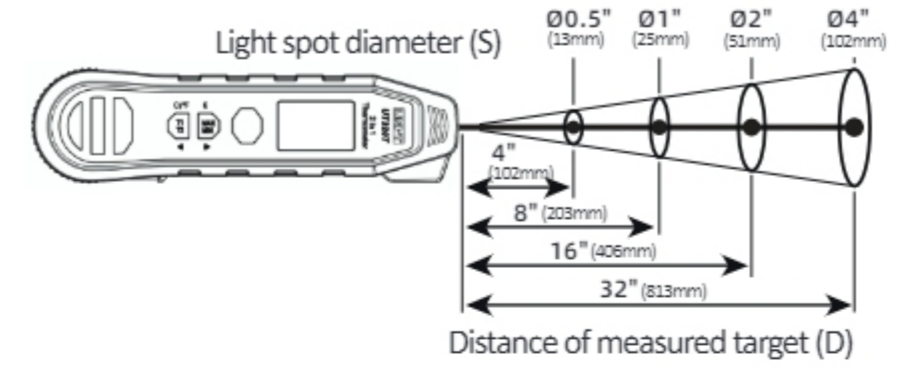
**Backlit LCD display**



**Drop proof**

After 2 meters drop, it still works normally.

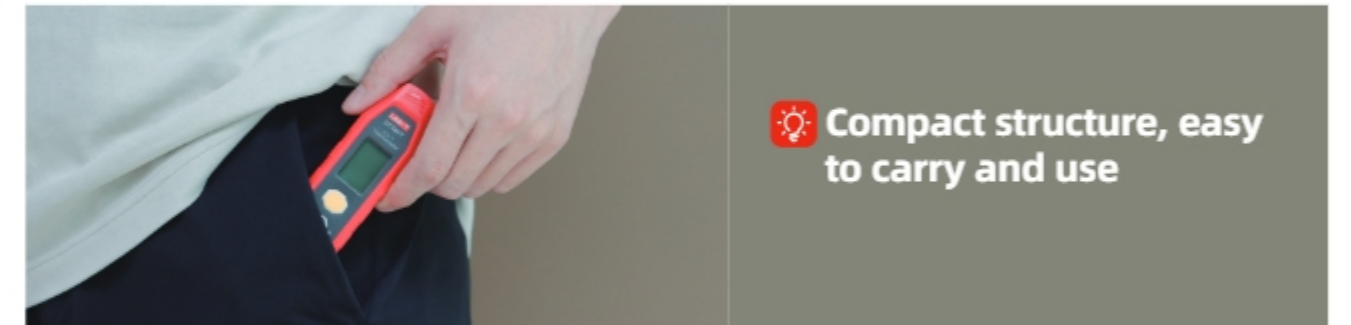
**Distance to spot ratio (D: S)=8:1**



**Adjustable emissivity (0.1~1.0)**



**T1-T2**  
Quickly calculates temperature difference (T1-T2) for both IR and probe temperatures.



**Compact structure, easy to carry and use**

**Using Scenarios**



Automobile maintenance



Construction measurement



Air-conditioner maintenance



Liquid measurement