

## How to Prime the Test Pump

Before you connect the Pump to the Unit Under Test (UUT), the Pump must be filled with fluid and primed for use. Follow the directions below to prepare the Pump for use.

1. Fill the Pump with fluid:
  - a. Remove the Reservoir Filler Cap (item ⑧.)
  - b. Fill the Hydraulic Fluid Reservoir approximately two-thirds full (66 cc) with distilled water, mineral oil, or hydraulic oil.

*Note*

*If water is used in the Pump, use only DISTILLED water and drain the water out of the Pump after use.*

- c. Install the Reservoir Filler Cap (item ⑧.) Tighten by hand.
2. Prime the Pump:
    - a. Adjust the Vernier Fine Adjustment Knob (item ④) to the approximate middle-range.
    - b. Turn the Pressure Bleed Knob (item ⑨) clockwise until it stops in the full closed position.
    - c. Squeeze the handles together to pump fluid. Pump fluid until fluid shows at the Pump Port.
    - d. Attach the fluid hose to the Pump.
    - e. Squeeze the handles together until fluid shows at the end of the hose.
    - f. Attach the fluid hose to the Unit Under Test (UUT) and squeeze the Pump handles until pressure increases.
    - g. Bleed the trapped air from the Pump. Pressurize the Pump to 1,000 psi then slowly turn the Pressure Bleed Knob (item ⑨) counter-clockwise to release pressure.

*Notes*

- *As the pressure rises it will be hard to squeeze the handles together. Use the Handle Limiter (item ⑦) to limit the travel of the handles which will make them easier to squeeze together. To toggle the Handle Limiter on or off, squeeze the handles together and push the Handle Limiter (item ⑦) in or out.*
- *The rate at which the pressure increases is directly related to the test configuration (hose length and volume of UUT.)*

## Replacement Parts

Rebuild Kit, Fluke PN 4097836

Hydraulic Fluid Reservoir Rebuild Kit, Fluke PN 2844341

Handle Assembly Rebuild Kit, Fluke PN 2844352

### LIMITED WARRANTY AND LIMITATION OF LIABILITY

This Fluke product will be free from defects in material and workmanship for one year from the date of purchase. This warranty does not cover fuses, disposable batteries, or damage from accident, neglect, misuse, alteration, contamination, or abnormal conditions of operation or handling. Resellers are not authorized to extend any other warranty on Fluke's behalf. To obtain service during the warranty period, contact your nearest Fluke authorized service center to obtain return authorization information, then send the product to that Service Center with a description of the problem.

THIS WARRANTY IS YOUR ONLY REMEDY. NO OTHER WARRANTIES, SUCH AS FITNESS FOR A PARTICULAR PURPOSE, ARE EXPRESSED OR IMPLIED. FLUKE IS NOT LIABLE FOR ANY SPECIAL, INDIRECT, INCIDENTAL OR CONSEQUENTIAL DAMAGES OR LOSSES, ARISING FROM ANY CAUSE OR THEORY. Since some states or countries do not allow the exclusion or limitation of an implied warranty or of incidental or consequential damages, this limitation of liability may not apply to you.

Fluke Corporation  
P.O. Box 9090  
Everett, WA 98206-9090  
U.S.A.

Fluke Europe B.V.  
P.O. Box 1186  
5602 BD Eindhoven  
The Netherlands

# Fluke-700HTP-2

## Hydraulic Test Pump

### Instruction Sheet

### Introduction

The Fluke 700HTP-2 Hydraulic Test Pump (the Pump or Product) is a portable source of high pressure.

### Safety

#### ⚠ Warning

**To prevent personal injury, use the Product only as specified, or the protection supplied by the Product can be compromised.**

### Pump Specifications

- Maximum pressure: 10,000 psi (690 bar)
- Hydraulic media: distilled water, mineral based hydraulic oil, or up to hydraulic oil 100 (30 W).
- Wetted materials: 303 stainless steel, aluminum, polyurethane, PTFE, nitrile, and nylon.
- Weight: 1.29 lb (0.58 kg)
- Dimensions: length 9.5 in (241 mm), width 6.1 in (155 mm), depth 2.6 in (66 mm)

### Box Contents

- Model 700HTP-2 Hydraulic Test Pump with a 1/4-inch NPT tee installed.
- Two 1/4-inch NPT male to 1/4-inch BSP female adapters.
- One 1/4-inch NPT male to 1/4-inch NPT male fitting.
- One 1/4-inch NPT male to 1/8-inch NPT male fitting.
- Instruction Sheet

### How to Contact Fluke

To contact Fluke, call one of the following telephone numbers:

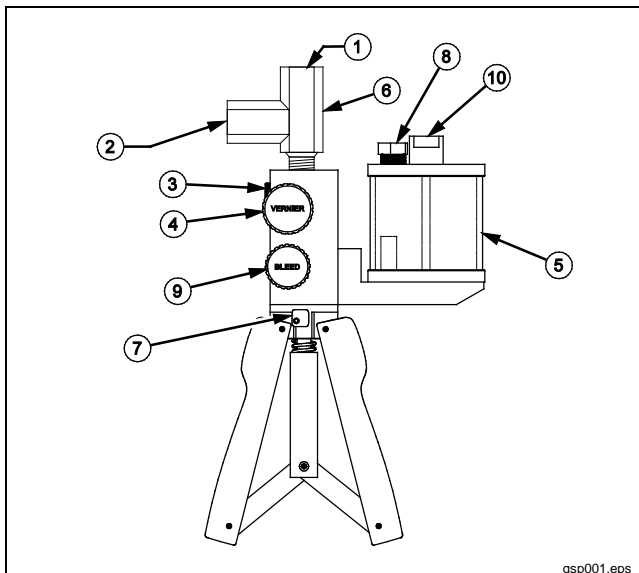
- Technical Support USA: 1-800-44-FLUKE (1-800-443-5853)
- Calibration/Repair USA: 1-888-99-FLUKE (1-888-993-5853)
- Canada: 1-800-36-FLUKE (1-800-363-5853)
- Europe: +31 402-675-200
- Japan: +81-3-6714-3114
- Singapore: +65-738-5655
- Anywhere in the world: +1-425-446-5500

Or, visit Fluke's website at [www.fluke.com](http://www.fluke.com).

To register your product, visit <http://register.fluke.com>.

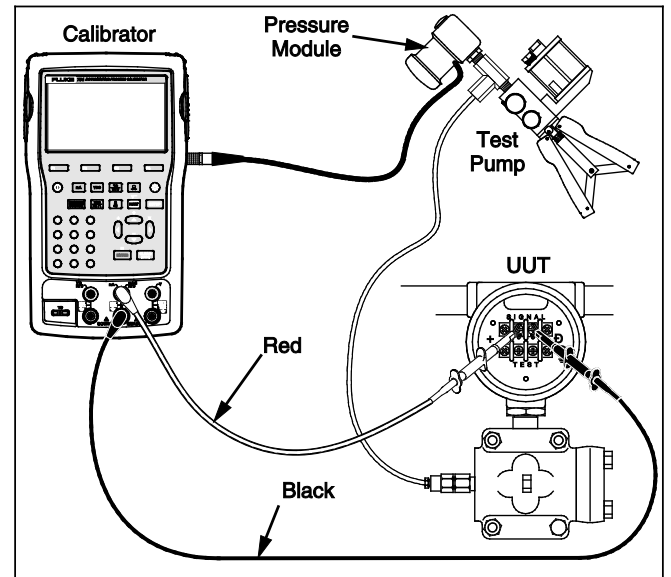
To view, print, or download the latest manual supplement, visit <http://us.fluke.com/usen/support/manuals>.

## Features



gsp001.eps

No.	Item	Function
①	Master Instrument Port	Port for Fluke 700 Series Pressure Module, 1/4-inch NPT female.
②	Test Pressure Port	Port for pressure instrument under test, 1/4-inch NPT female.
③	Pressure Relief Valve Port	Port for an optional Fluke 700PRV-1 Pressure Relief Valve (plugged).
④	Vernier Fine Adjustment Knob	Lets you adjust the applied pressure in small increments.
⑤	Hydraulic Fluid Reservoir	Holds 100 cc of mineral based hydraulic oil, distilled water, or hydraulic oil.
⑥	1/4-inch NPT Tee Fitting	For master and test ports.
⑦	Handle Limiter	Limits the travel of the handles.
⑧	Reservoir Filler Cap	Cap which seals the hydraulic fluid reservoir. Install before you pump.
⑨	Pressure Bleed Knob	Lets you release pressure in small increments.
⑩	Reservoir Nut	Remove nut to clean reservoir.



gsp002.eps

Figure 1. Test Configuration

## How to Operate the Test Pump

### ⚠ Warning

To prevent a violent release of pressure, open the Pressure Bleed Knob (item ⑨) very slowly before you disconnect pressure lines. Do not connect the Pump to an external pressure source.

### ⚠ Caution

To prevent damage when a Pressure Module or Pressure Instrument is connected that could be damaged by pressures of 690 bar (10,000 psi), install and correctly set a relief valve in the system or an optional Fluke 700PRV-1 Pressure Relief Valve on the Pump.

1. Connect a 700 Series Pressure Module (the Pressure Module) to the Master Instrument Port (item ①). To connect to a 700P High Pressure Module (700P29, P30, or P31) install a male 1/4-inch NPT Adapter. Use Teflon® tape or equivalent on the NPT thread connections to prevent leaks.
2. Fill and Prime the Pump. See “How to Prime the Test Pump”.
3. Connect the Pressure Module to the calibrator as shown in Figure 1.
4. Connect the input of the Pressure Unit Under Test (UUT) to the Test Pressure Port (item ②) on the Test Pump.
5. Loosen the Pressure Bleed Knob (item ⑨) to release pressure from the Pump.
6. Use the Calibrator to zero the Pressure Module. Refer to the Users Manual for instructions.
7. Turn the Vernier Fine Adjustment Knob (item ④) to the middle-range.
8. Turn the Pressure Bleed Knob (item ⑨) clockwise until it stops in the full closed position.
9. Squeeze the handles together to pump fluid which will increase pressure. See the Notes in step 2 of the “How to Prime the Test Pump” procedure.

### ⚠ Caution

To prevent damage, do not let the pressure increase to more than the pressure rating of the equipment under test. Pressure can increase quickly if the pressurized volume is small.

10. For incremental pressure adjustments, use the Vernier Fine Adjustment Knob.
11. Once the test is done, slowly turn the Pressure Bleed Knob (item ⑨) counter-clockwise to release pressure.